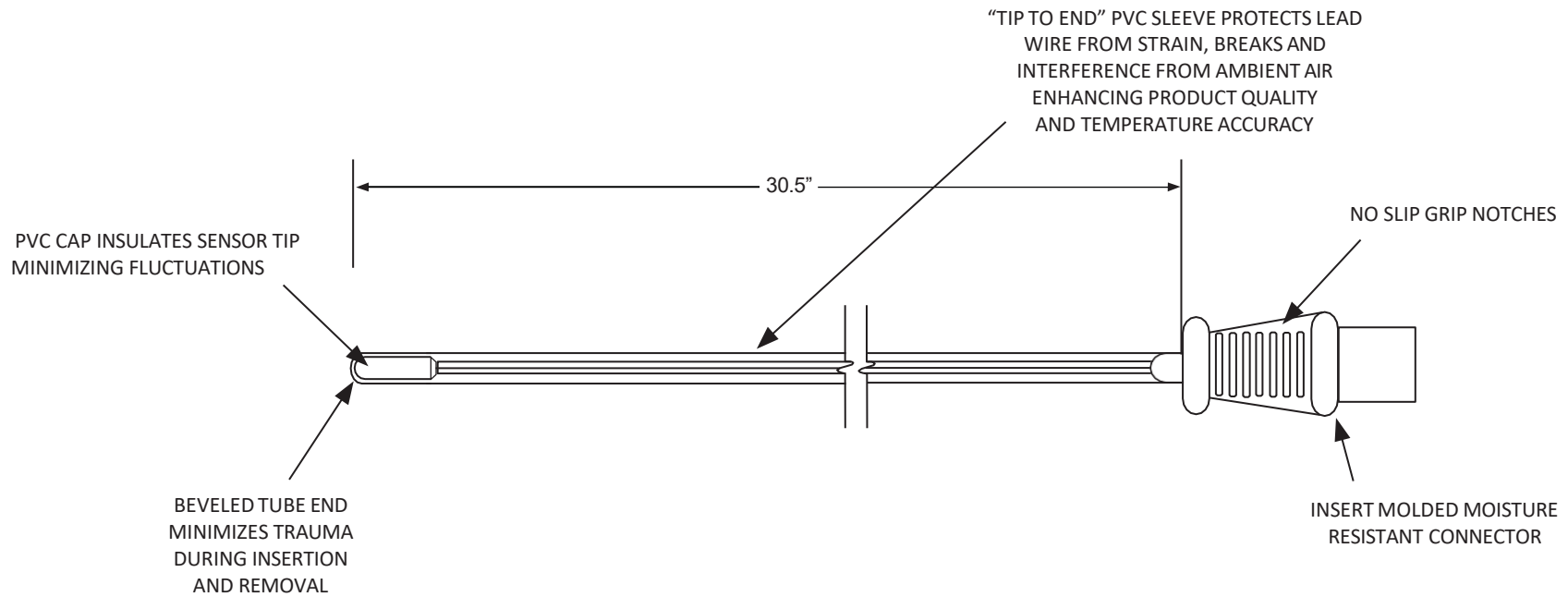


# General Purpose Temperature Probe



Esophageal/Rectal Probes		
Catalog Number	Size	Quantity/ Case
4009-ER	9 French	35
40012-ER	12 French	35



18001 Sky Park Circle Suite E-F  
Irvine, CA 92614

Phone: 714.283.3099

Fax: 714.283.3033

[www.starboardmedical.com](http://www.starboardmedical.com)