





Clik-FIX™ Catheter Securement Device for PICC and Central Catheters

REF WCS-1000 and WCS-1003

Symbols:

-  Read Instructions for Use
-  Single Patient Use Only
-  Do not use if package is damaged
-  Product does not contain natural rubber latex
- STERILE EO** Sterilized with Ethylene Oxide

R_xonly Federal (U.S.A) Law restricts this device to be sold by or on the order of a physician.

Description: The Starboard Medical Clik-FIX Catheter Securement Device (REF: WCS-1000, WCS-1003) is an Engineered Stabilization Device (ESD) designed to provide securement for peripherally inserted central catheters (PICCs) and central venous catheters with wings.

Indications: Clik-FIX PICC/Central securement is intended to stabilize compatible PICC and Central Catheters.

Contraindications: Do not use device on compromised skin i.e., open wounds, burns, lesions, rash , other irritation and/or patient's with known tape or adhesive allergies or hypersensitive skin.

Adverse Reactions: Skin irritation

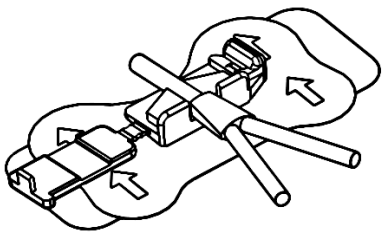
Note: Adhere Clik-FIX pad after x-ray confirmation of catheter position. Adhesive strip may be applied for added security during dressing changes.

Warning and Pre-Cautions:

- Follow facility protocol when placing and removing the device, observe universal blood and body fluid precautions and infection control guidelines.
- Do not use the Clik-FIX device on patient's who are allergic to adhesives and on non-adherent skin.
- Do not apply alcohol, acetone or other liquid agent directly on the Clik-FIX when in use. These agents can weaken the device.
- During application and removal of the Clik-FIX device take care to minimize manipulation and movement of the catheter.
- Prepare skin surface according to facility protocol. Remove oil and moisture from application area.
- Routinely inspect the Clik-FIX device and catheter position.
- Replace the Clik-FIX device at least every 7 days.

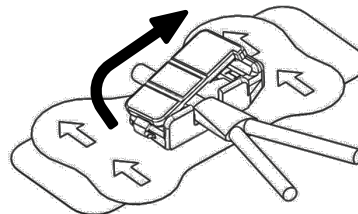
1 PREP AND PLACE

Prep securement area according to facility protocol. Remove release paper on the topside of the device. Orient the Clik-FIX device so the green arrows point towards the insertion site. Place the Clik-FIX device under the wing of the catheter as shown. Lightly press catheter wing to base of device.



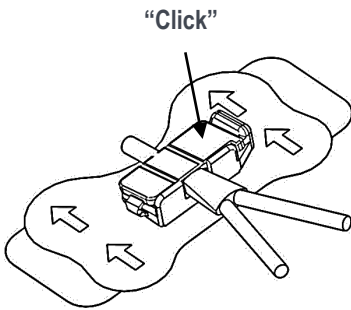
2 FOLD AND ALIGN

Lightly fold the top of the locking mechanism over the wing of the catheter aligning the strap with the slot on base.



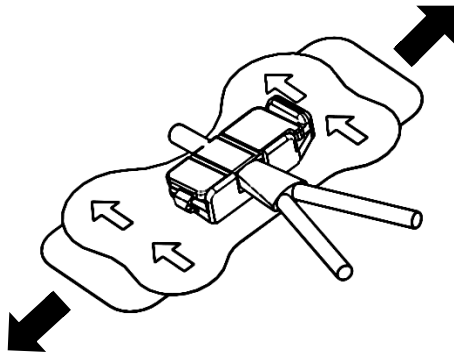
3 CLIK TO LOCK

When the strap is aligned with the slot, place index finger under the device and thumb on the top corner of the device. Push the top downward until you hear a “click”.



4 PEEL AND PRESS

Remove the center split release paper from the underside of the device one side at a time. Lightly press down on the surface of the Clik-FIX to assure hold to the patient's skin.



TIPS FOR EASY USE:

TIP: Orient the device so the green arrows on the pad or release liner are pointing toward the insertion site.

TIP: Place the catheter wing in the device prior to placement of the device on the skin surface.

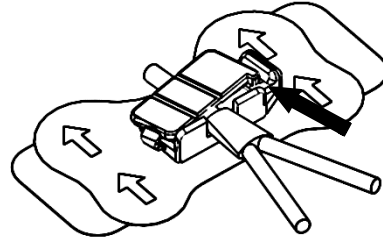
TIP: After securing the catheter in the Clik-FIX device, follow facility protocol for placement of the Chlorhexidine disc and transparent dressing.

TIP: Always date and time the dressing.

TIP: Visit our website at www.starboardmedical.com to view our instructional video.

Removal Technique:

1. Following facility protocol, carefully remove transparent dressing using the stretch technique. Stabilize the skin while gently removing the dressing.
2. To open, lightly push the notch at the top corner of the device towards the insertion site. This will disengage the top and open the device.



3. Carefully remove catheter wing from Clik-FIX device.
4. Temporarily secure catheter during dressing change with the provided sterile adhesive strip or according to facility protocol.
5. Remove the adhesive pad from the skin by peeling the pad gently away from the skin surface from the outside edge.
6. If difficulty is encountered, apply an alcohol prep pad or adhesive removal pad at the interface between the adhesive and skin to loosen adhesive, continue to carefully remove.
7. Remove device and complete dressing change per facility protocol or if ordered, remove and discard catheter in accordance with your facility protocol.



Starboard Medical Inc.
18001 Sky Park Circle, Suite E-F, Irvine, CA 92614
Ph. 714.283.3099 Fax 714.283.3033
www.starboardmedical.com