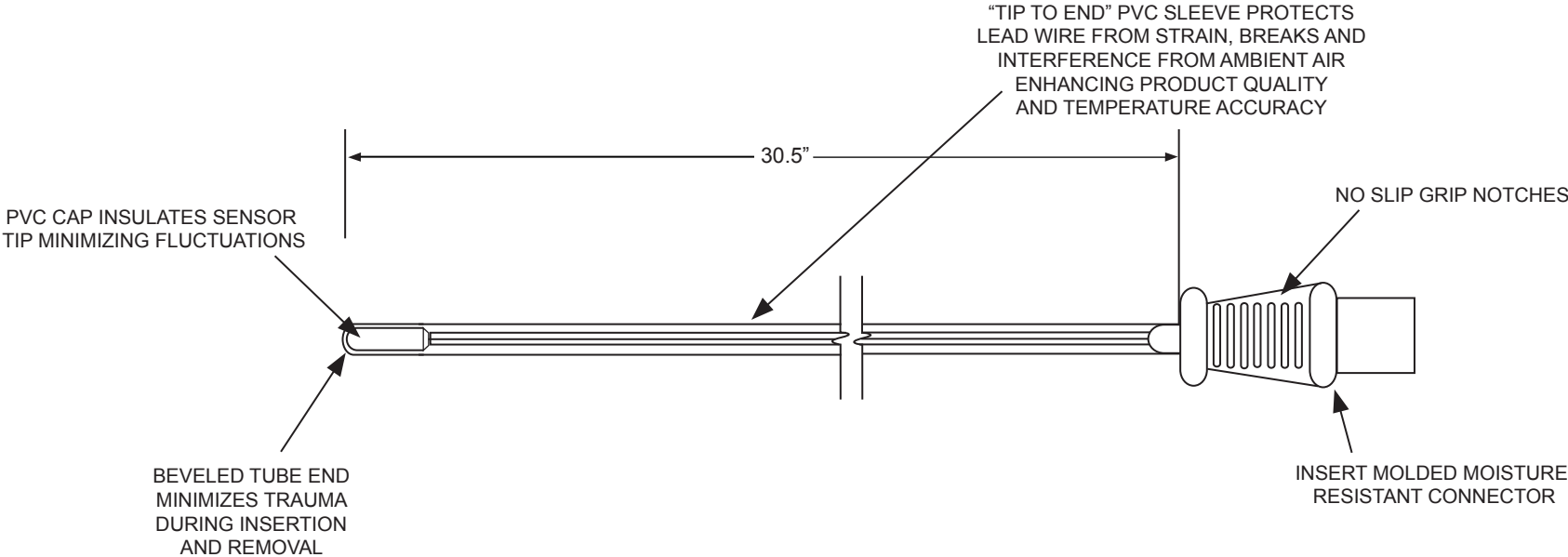


# GENERAL PURPOSE TEMPERATURE PROBE



Esophageal/Rectal Probes		
Catalog Number	Size	Quantity/ Case
4009-ER	9 French	35
40012-ER	12 French	35



22845 Savi Ranch Parkway Suite H  
Yorba Linda, CA 92887

Phone: 714.283.3099  
Fax: 714.283.3033

[www.starboardmedical.com](http://www.starboardmedical.com)